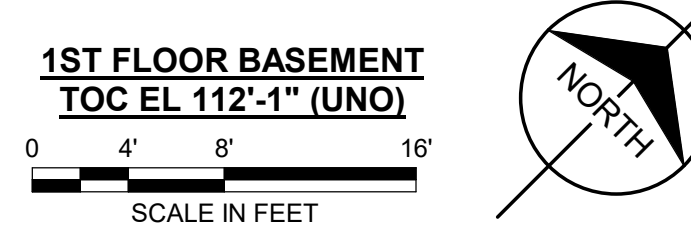
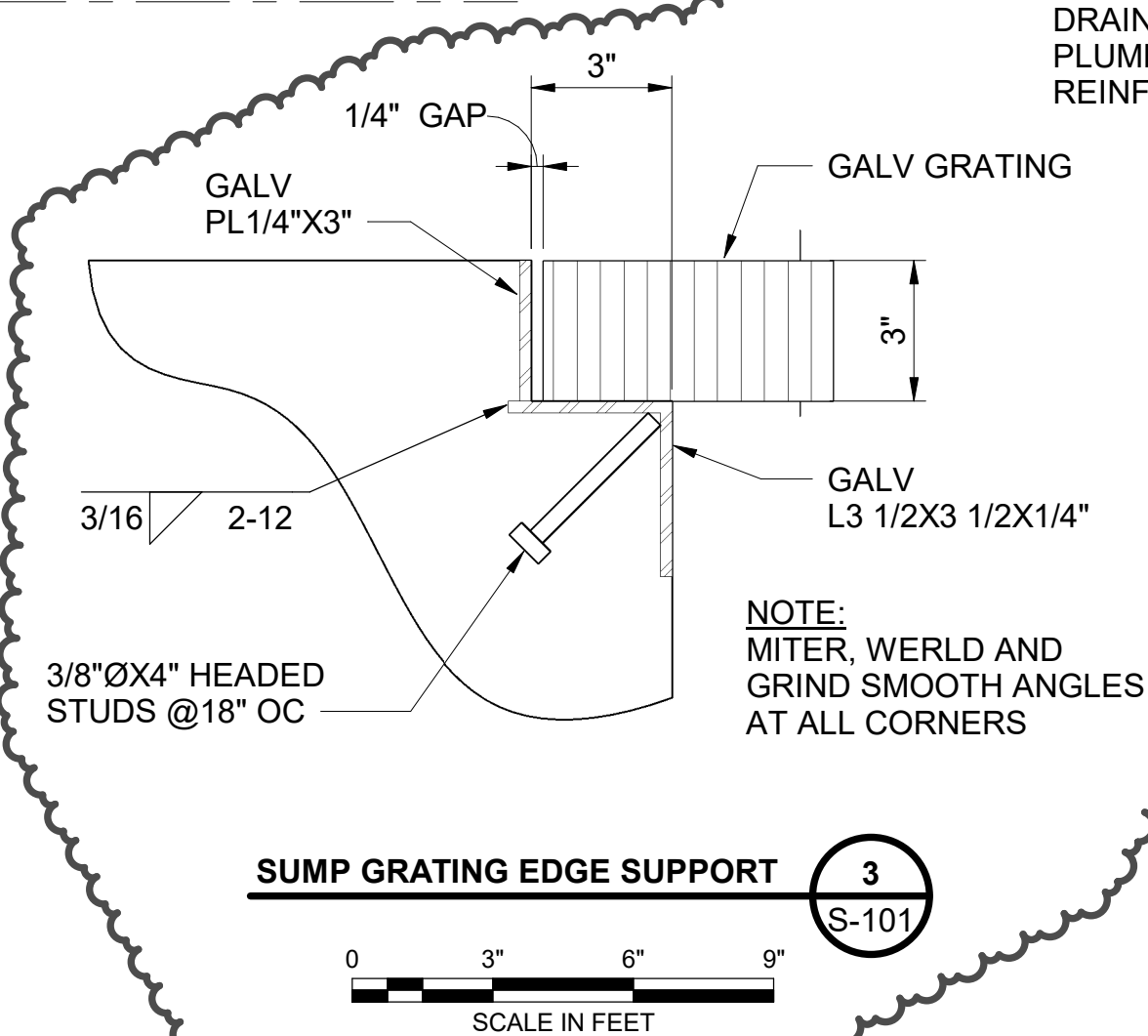
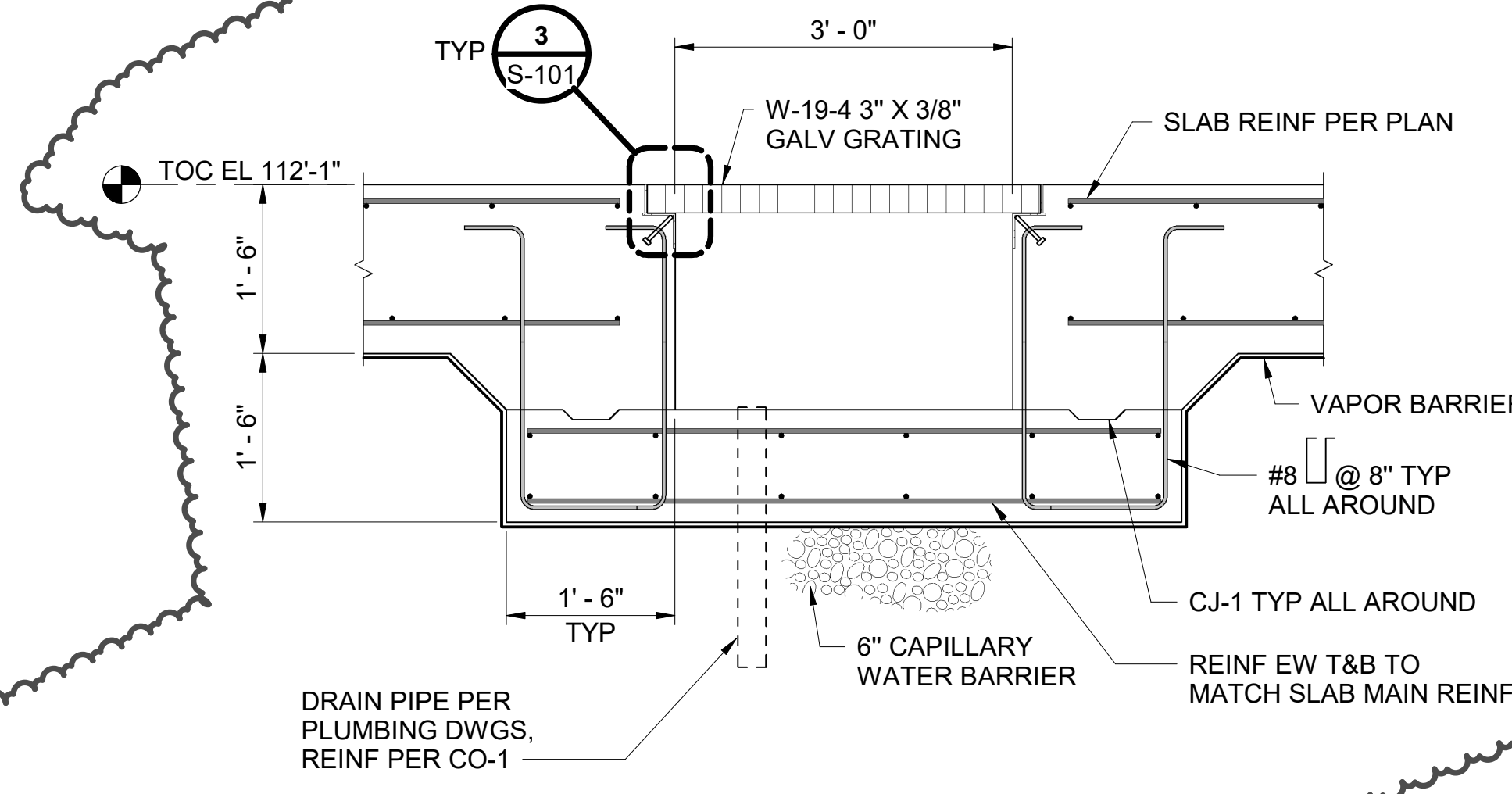
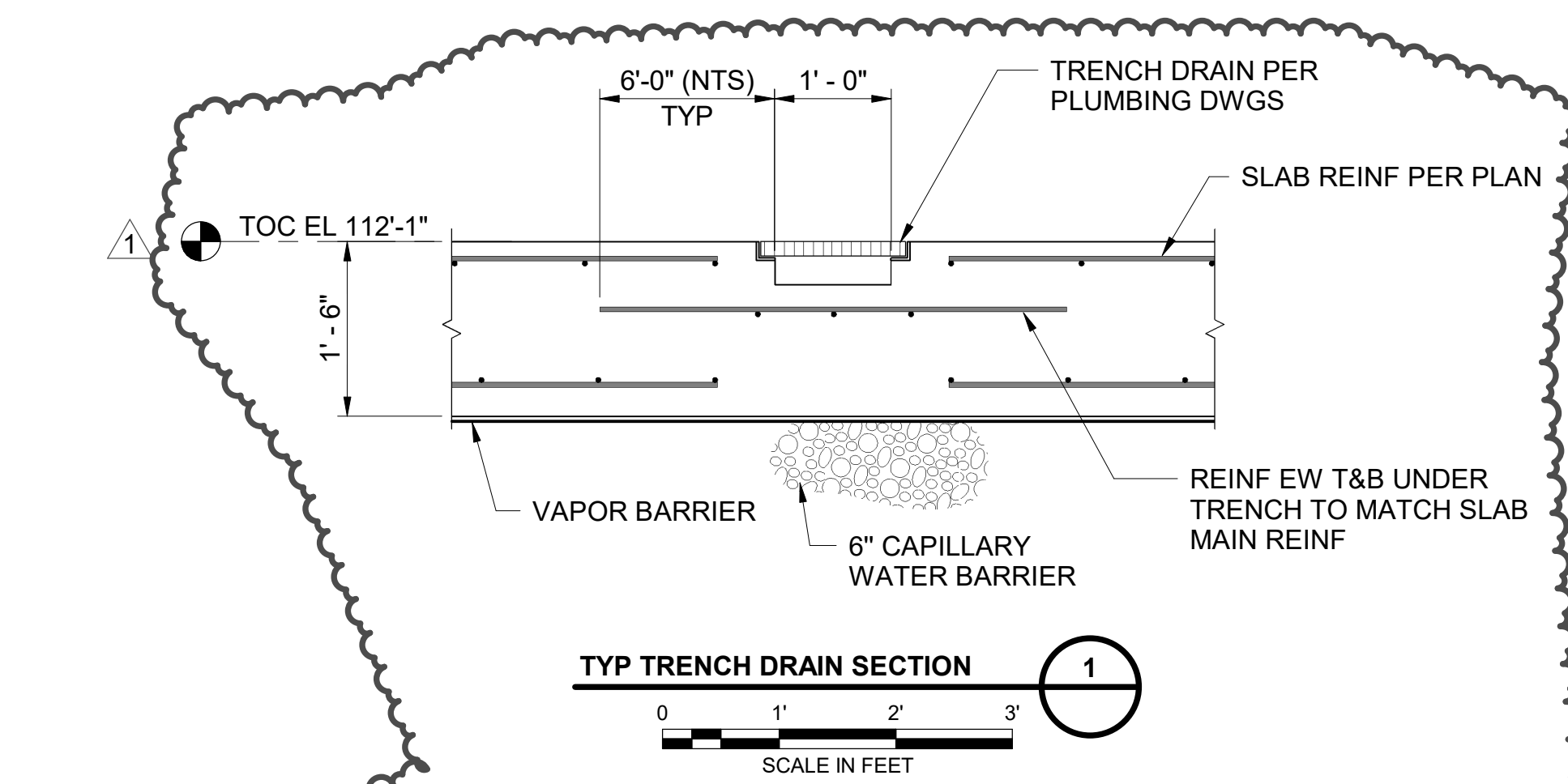


**NOTES:**

1. SEE DRAWING S-001 AND S-002 FOR GENERAL NOTES.
2. SEE DRAWING S-010 THROUGH S-014 FOR STANDARD CONCRETE DETAILS.
3. PROVIDE TYPICAL RE-ENTRANT CORNER BARS AT ALL RE-ENTRANT CORNERS. SEE DRAWING S-012 FOR DETAILS.
4. PROVIDE ISOLATION JOINTS AROUND COLUMNS AS NOTED ON PLAN. SEE DRAWING S-013 FOR TYPICAL COLUMN ISOLATION JOINT DETAILS.
5. SEE COLUMN SCHEDULE ON DRAWING S-300 FOR ANCHOR BOLT AND SHEAR BAR DETAILS.
6. SEE ARCH DRAWINGS FOR SLAB RECESS LOCATIONS AND DETAILS AT WALK-OFF MATS AND SHOWER AREAS. RECESS AT WALK-OFF MATS IS 1/2" AND AT SHOWERS IS 2". SLAB REINFORCING UNDER RECESSED AREAS SHALL HAVE A MINIMUM CONCRETE COVER AS STATED ON DRAWING S-001. DROP THIS REINFORCING BELOW THE MAIN SLAB REINFORCING IF NEEDED AND PROVIDE LAP SPLICE BETWEEN SLAB RECESS BARS AND MAIN BARS.
7. EQUIPMENT ANCHOR BOLT REQUIREMENTS SHALL BE PROVIDED BY THE CONTRACTOR. THE CONTRACTOR SHALL SEND ANCHOR BOLT INFORMATION TO THE ENGINEER FOR REVIEW BEFORE INSTALLATION.
8. SEE MECHANICAL AND ELECTRICAL DRAWINGS FOR LOCATIONS AND SIZES OF EQUIPMENT PADS, IF REQUIRED. SEE DRAWING S-011 FOR EQUIPMENT PAD DETAILS.
9. SEE PLUMBING DRAWINGS FOR FLOOR DRAIN LOCATIONS. SEE TYPICAL FLOOR DRAIN DETAIL ON DRAWING S-012 FOR SLOPING REQUIREMENTS AROUND DRAINS.
10. ISOLATE EXISTING ADJACENT STRUCTURE FROM SURCHARGES PRODUCED BY NEW CONSTRUCTION WITH RIGID, CELLULAR POLYSTYRENE GEOFOAM. PROVIDE FOAM-CONTROL GEOFOAM #46 OR ENGINEER APPROVED EQUAL. GEOFOAM PRODUCT SHALL COMPLY WITH ASTM D6817.
11. PROVIDE TYPICAL ADD BARS AT INTERSECTING JOINTS. SEE DRAWING S-012 FOR DETAILS.
12. TYPICAL CONTRACTION JOINT DETAIL PER DRAWING S-011.
13. SEE PLUMBING DRAWINGS FOR TRENCH DRAIN LOCATIONS AND DETAILS.



no.	date	by	ckd	description
0	6/24/20	BRS	DSS	ISSUED FOR CONSTRUCTION
1	10/09/20	BRS	DSS	ADDED DRAINAGE DETAILS

**SUD ASSOCIATES, P.A.**  
CONSULTING ENGINEERS  
LICENSE NO. C-4032

**BURNS MCDONNELL**  
5511 CAPITAL CENTER DRIVE, STE. 450  
RALEIGH, NC 27606  
919-859-5951  
LICENSE NO. C-1435

date	06/03/19	detailed	T. WILSON
designed	T. BHAGWAGAR	checked	J. HOPE

**Western Carolina UNIVERSITY**  
WESTERN CAROLINA UNIVERSITY  
111 CENTRAL DRIVE  
CULLOWHEE, NC 28723  
JACKSON COUNTY

**WCU ENERGY PRODUCTION FACILITY**  
SLAB PLAN - 1ST FLOOR BASEMENT TOC

project	103609	contract	SCO# 17-17729-02A
drawing		rev.	
sheet		of	sheets
file			

**S-101 - 1**